

# ZKB209

## 2D Barcode Scanning Platform



ZKB209 is a high-performance 2D barcode multiline scanning platform with advanced image scanning technology and a durable and straightforward appearance. It is the best choice for you to improve your work efficiency.

### Features

- Excellent decoding ability with new decoding chip for various of 1D & 2D barcode
- Scanning WeChat/Alipay barcodes with professional technology
- Plug and play, easy to use and more durable quality

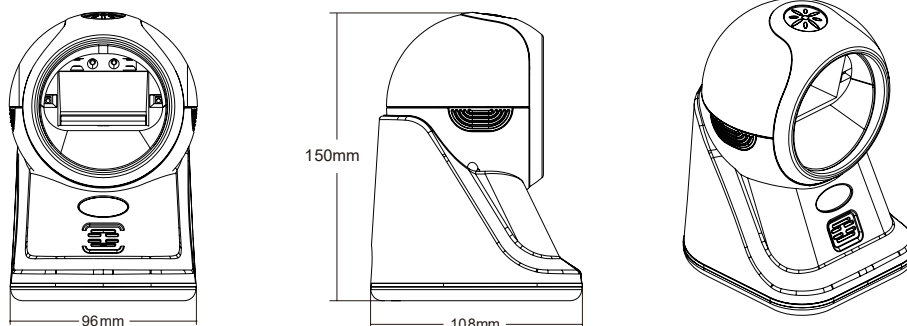
### Application Scenarios

Retail chains, office automation, mail/parcel sorting and distribution

# Specifications

Scanning Performance	
Light sources	630nm red LED
Decode capabilities	1D: Code128, UCC/EAN-128, AIM-128, EAN-8, EAN-13, ISSN/ISBN, UPC-E, UPC-A, Interleaved 2 of 5, ITF-14, ITF-6, Codebar, Matrix 2 of 5, Industrial 25, Standard 25, MSI-Plessey, Code 39, Code93, Code32, Code11, PLESsey; 2D: PDF417, QR Code(QR1/2, Micro), Data Matrix(ECC200, 050, ECC000, 080, 100, 140), Hanxin.
Scan mode	Automatic Scanning
Precision	0-160mm(0.33mm, PCS90%)
Scan angle	Horizontal: 46.1°; Vertical: 30.4°
Optical system	640H*480V pixels(Wide VGA)
Visual indicator	Speaker, LED
Interface	USB-HID, USB-COM, RS232
General	
Dimensions (LxWxH)	96mm × 108mm × 150mm
Weight	294.4g
Material	ABS+PC
Cable	2m straight
Environmental Parameters	
Operating Temperature	0°C ~ 50°C
Storage Temperature	-40°C ~ 70°C
Humidity	0% to 95% RH (Non-condensing)
Shock Resistance	Withstands multiple 1.5m drops to concrete
Electrical Parameters	
Voltage	DC5V ±1%
Current	150mA(Operating)

## Dimensions (mm)



V1.0 2020.11.3