



# MPX-REL-DG-V2

## Relay Module with 8 Relays

MANUAL 200710

MADE IN PORTUGAL - EU

### GLOBAL FIRE EQUIPMENT S.A.

Sítio dos Barrabés, Armazém Nave Y, Caixa Postal 908-Z, 8150-016 São Brás de Alportel - PORTUGAL  
Tel: +351 289 896 560 • Sales: sales@globalfire.pt • Technical Support: techs@globalfire.pt • www.globalfire.pt

### TECHNICAL SPECIFICATIONS

SUPPLY VOLTAGE	24V DC to 30V DC
NORMAL OPERATION	5 mA ( $I_q$ ) + 7,5 mA per relay active
MAX. CABLE SIZE	2.5 mm <sup>2</sup>
COLOUR / CASE MATERIAL	White / ABS
OPER. TEMPERATURE / MAX. HUMIDITY	-10°C to 50°C / 95% RH Non-Condensing
DIMENSIONS / WEIGHT	150 (W) x 90 (L) x 32 (H) mm / 216 g inc. packaging



### ORDER CODE

MPX-REL-DG-V2	RELAY MODULE FOR ORION FAMILY. (PLEASE CONTACT SALES FOR FURTHER INFORMATIONS)
---------------	--

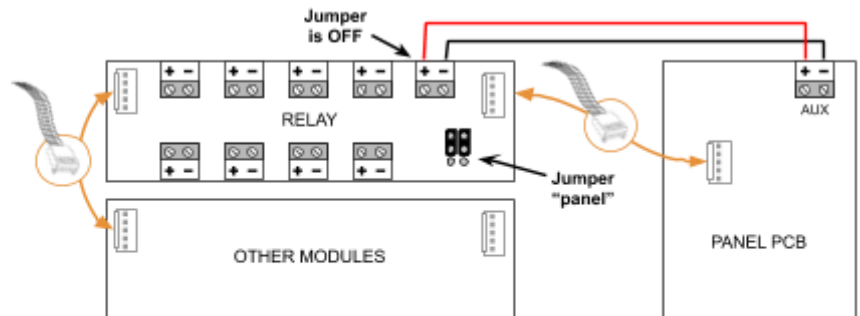
### CONNECTIONS

**Remove all power before connections!**

#### Setting Connections:

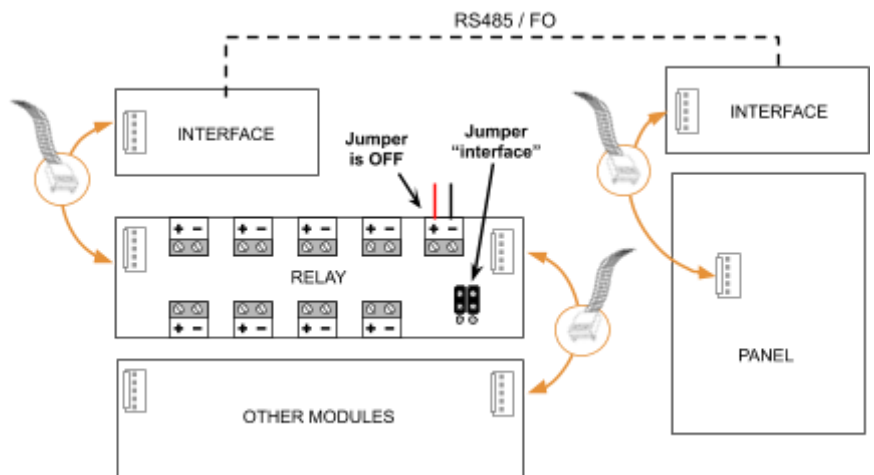
**a. Direct connection** (with flat cable directly to conventional panel)

- Connect panel and MPX-REL-DG-V2 using molex flat cable.
- Set both communication jumpers UP (option "panel").
- Remove supply jumper. Power supply from Panel.



**b. Remote connection** (with an Interface module remotely connected to panel)

- Connect Interface and MPX-REL-DG-V2 using molex flat cable.
- Set both communication jumpers DOWN (option "interface").
- Fit the supply jumper. Power supply from MPX-REL-DG-V2.



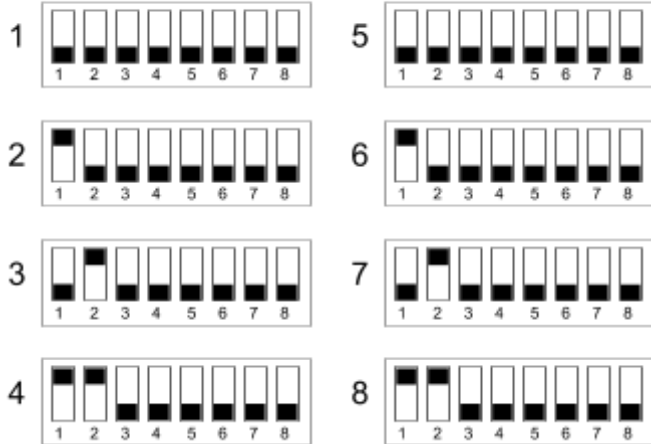
# SETTING DELAY CONFIGURATION



## Setting Delay Configuration:

- a. Set SW8 ON and the remain switches OFF.
- b. Power up the system, both module LEDs should blink intercalated.
- c. Set the desired relay output by setting SW1, SW2 and SW3 as listed on the Relay Output table.
- d. Set the desired delay by setting SW4, SW5, SW6 and SW7 as listed on the Delay Value table.
- e. Set SW8 down to save configurations.

## RELAY OUTPUT



## DELAY VALUE

