



MPX-SNDR-DG-V2

Sounder Module with 4 Sounders

MANUAL 200710

MADE IN PORTUGAL - EU

GLOBAL FIRE EQUIPMENT S.A.

Sítio dos Barrabés, Armazém Nave Y, Caixa Postal 908-Z, 8150016- São Brás de Alportel - PORTUGAL
Tel: +351 289 896 560 • Sales: sales@globalfire.pt • Technical Support: techs@globalfire.pt • www.globalfire.pt

TECHNICAL SPECIFICATIONS

SUPPLY VOLTAGE	24V DC to 30V DC
NORMAL OPERATION	6mA (I_q) + 5.5mA per activated channel, 50mA on evacuation mode (all sounders)
EOL RESISTOR	22K Ohms - 1/4 Watts
MAX. CABLE SIZE	2.5 mm ²
COLOUR / CASE MATERIAL	White / ABS
OPER. TEMPERATURE / MAX. HUMIDITY	-10°C to 50°C / 95% RH Non-Condensing
DIMENSIONS / WEIGHT	150 (W) x 90 (L) x 32 (H) mm / 216 g inc. packaging



ORDER CODE

MPX-SNDR-DG-V2	SOUNDER MODULE FOR ORION FAMILY. (PLEASE CONTACT SALES FOR FURTHER INFORMATIONS)
----------------	--

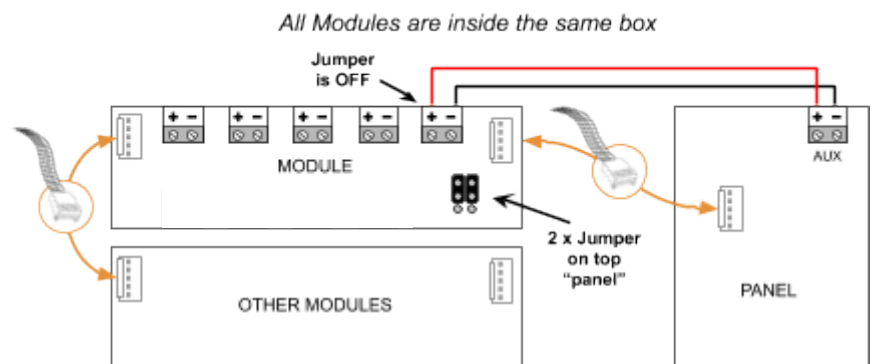
CONNECTIONS

Remove all power before connections!

Connections:

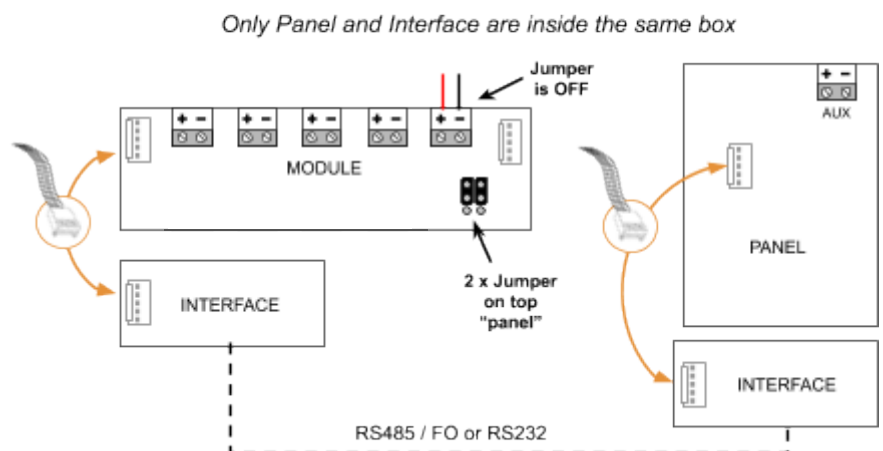
a. Direct connection (flat cable directly connected to conventional panel)

- Connect panel and MPX-SNDR-DG-V2 using molex flat cable.
- Set both communication jumpers UP (option "panel").
- Remove supply jumper.
- Power supply from Panel, ensure it won't exceed the maximum allowed current from this source.



b. Remote connection (remote connection using an interface module connected to panel)

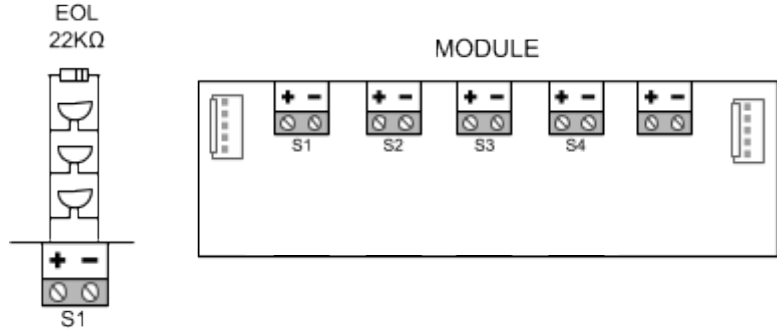
- Connect Interface and MPX-SNDR-DG-V2 using molex flat cable.
- Set both communication jumpers DOWN (option "interface").
- Fit the supply jumper. Power supply from MPX-SNDR-DG-V2.



EOL RESISTOR

Connecting EOL Resistor:

- a. Place EOL resistor on the last audio device. All 8 channels need an EOL resistor.



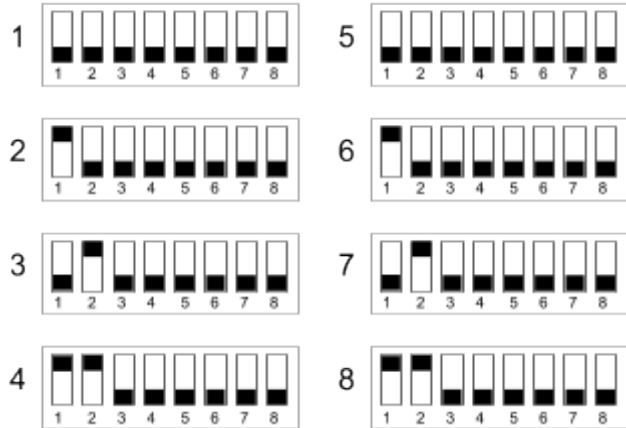
SETTING DELAY CONFIGURATION



Setting Delay Configuration:

- a. Set SW8 ON and the remain switches OFF.
- b. Power up the system, both module LEDs should blink intercalated.
- c. Set the desired relay output by setting SW1,SW2 and SW3 as listed on the Relay Output table.
- d. Set the desired delay by setting SW4,SW5, SW6 and SW7 as listed on the Delay Value table.
- e. Set SW8 down to save configurations.

RELAY OUTPUT



DELAY VALUE

