

SpeedFace-M1

Linux-Based Hybrid-Biometric Access Control & Time and Attendance Terminal with Visible Light Facial Recognition & Palm Recognition



Proactive Facial Recognition



New Height of Anti-Spoofing



Speedy Recognition



Wide Pose Angle Acceptance



Wide Palm Pose Angle Acceptance



Touchless for Better Hygiene

Compatible with ZKBio Access IVS

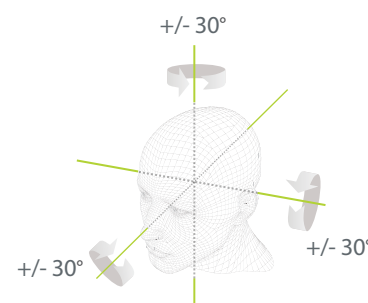


Features

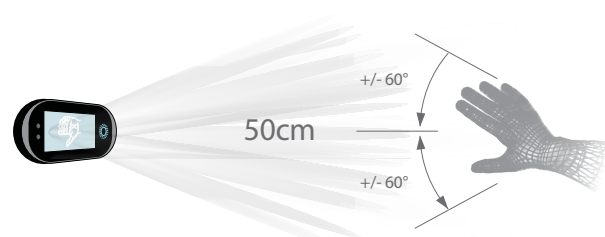
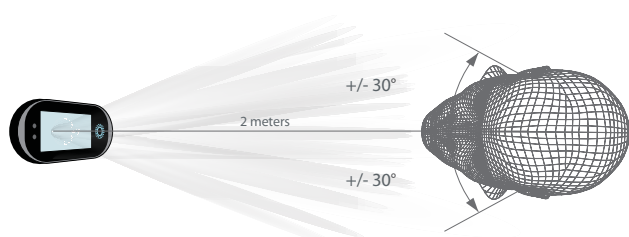
- Visible Light Facial Recognition
- Anti-spoofing algorithm against print attack (laser, color and B/W photos), videos attack and 3D mask attack
- Multiple verification methods: Face / Palm / Card / Password
- Available card modules: 125kHz ID card (EM) / 13.56MHz IC card
- 6,000 face templates capacity and 3,000 palm templates capacity

2 meters of recognition distance and extra wide angle recognition

The recognition distance has been greatly extended to 2 meters, which significantly improves the maximum traffic rate. While most of the algorithms only support +/-15° of detectable face angle, SpeedFace-M1 doubles the detection angle in terms of head rotation and tilt to +/- 30°.



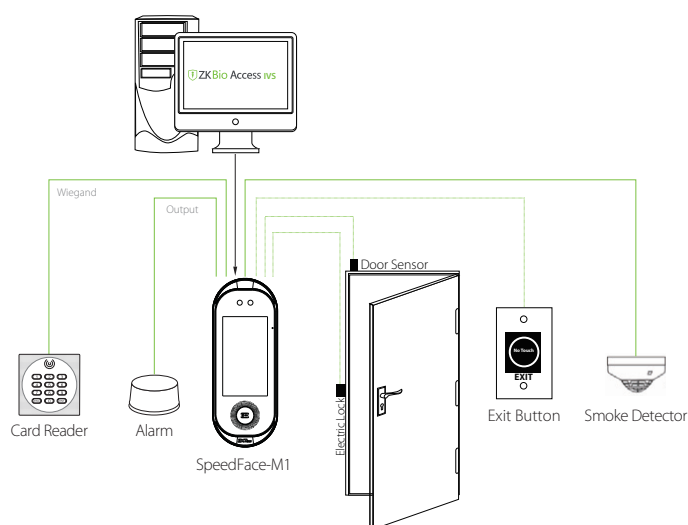
Touchless palm authentication method with a novel hand tracking technique allowing angle tolerance as wide as +/-60° in the roll axis and a recognition distance of 50cm.



Specifications

Display	5-inch Touch Screen
Face Capacity	6,000
Palm Capacity	3,000
Card Capacity	10,000
Transactions	200,000
Operation System	Linux
Standard Functions	ID Card ,ADMS, T9 Input, DST, Camera, 9-digit User ID, Access Levels, Groups, Anti- passback, Record Query, Tamper Switch, Alarm, Multiple Verify Modes.
Hardware	900MHz Dual Core CPU; Memory 512MB RAM / 8G Flash; 2MP WDR Binocular Camera;
Communication	TCP/IP, WiFi (Optional), Wiegand input / output, RS485
Access Control Interface	3rd Party Electric Lock, Door Sensor, Exit Button, Alarm output, Auxiliary Input
Optional Function	13.56MHz IC Card
Facial Recongntion Speed	≤1s
Biometrics Algorithms	ZKFace V5.8 & ZKPalm V12.0
Power Supply	12V 3A
Operating Humidity	20%-80%
Operating Temperature	0°C- 45 °C
Dimensions (W*H*D)	91*236*24mm
Net Weight	453g
Gross Weight	1120g
Supported Softwares	ZKBioAccess IVS

Configuration



Dimensions (mm)

