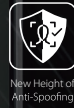


# SpeedFace M3

Linux-Based Hybrid-Biometric  
Access control & Time and Attendance Terminal with  
Visible Light Facial Recognition



Proactive Facial  
Recognition



New Height of  
Anti-Spoofing



Speedy  
Recognition



Wide Pose Angle  
Acceptance



Touchless for  
Better Hygiene



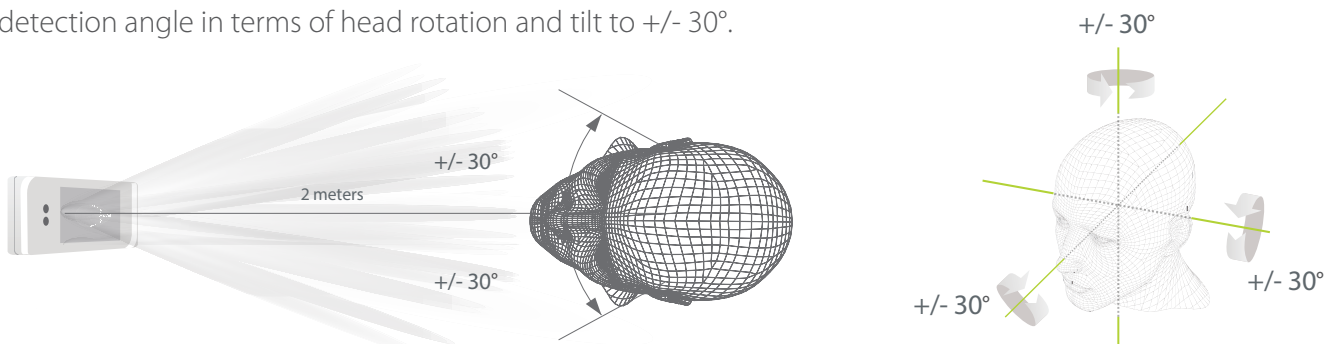
Compatible with  
ZKBio Access IVS

## Features

- Visible Light Facial Recognition
- Anti-spoofing algorithm against print attack (laser, color and B/W photos), videos attack and 3D mask attack
- Multiple verification methods: Face / Card / Password
- Available card modules: 125kHz ID card (EM) / 13.56MHz IC card / 125kHz HID Prox card
- Supplement light with adjustable brightness
- 6,000 Face templates capacity, 10,000 card capacity, 1,000,000 log capacity
- Support IP65 protect level

## 2 meters of recognition distance and extra wide angle recognition

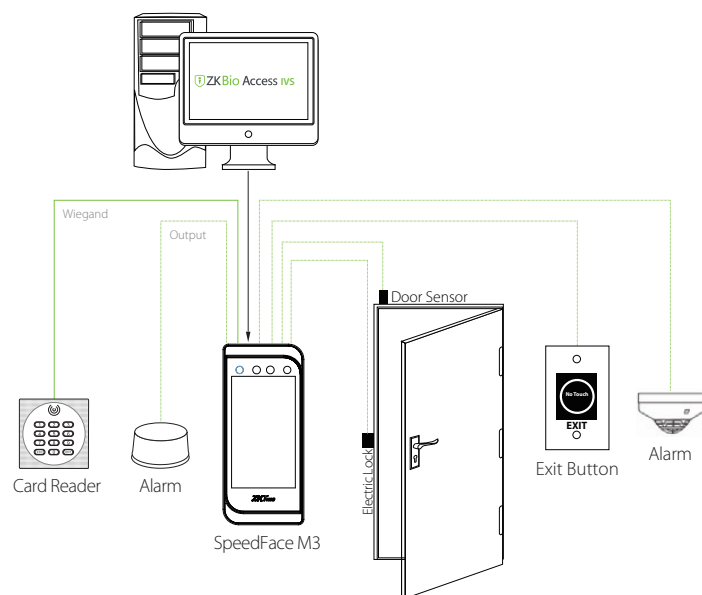
The recognition distance has been greatly extended to 2 meters, which significantly improves the maximum traffic rate. While most of the algorithms only support +/-15° of detectable face angle, XFace 300 doubles the detection angle in terms of head rotation and tilt to +/- 30°.



## Specifications

Display	5" Touch Screen
Face Capacity	6,000
Card Capacity	10,000(Optional 30,000)
Transactions	1,000,000
Operating System	Linux
Standard Functions	ID Card, ADMS, T9 Input, DST, Camera, 9-digit User ID, Access Levels, Groups, Holidays, Anti-passback, Record Query, Tamper Switch Alarm, Multiple Verification Methods, External Print
Hardware	900MHz Dual Core CPU 512MB RAM / 8G ROM 2MP WDR Low Light Camera Adjustable LED Supplement Lighting
Communication	TCP/IP, WiFi, Wiegand input/output, RS485, RS232
Access Control Interface	3rd-party Electric Lock, Door Sensor, Exit Button, Alarm Output, Aux Input
Optional Function	13.56MHz IC Card / 125kHz HID Prox card
Facial Recognition Speed	≤1s
Biometrics Algorithms	ZKFace V5.8
Protection Level	IP65
Power Supply	12V 3A
Working Humidity	10% ~ 90%
Working Temperature	-10°C ~ 45°C
Dimensions(W*H*D)	88.3*197.38*30.50
Supported Software	ZKBioAccess IVS

## Configuration



## Dimensions (mm)

